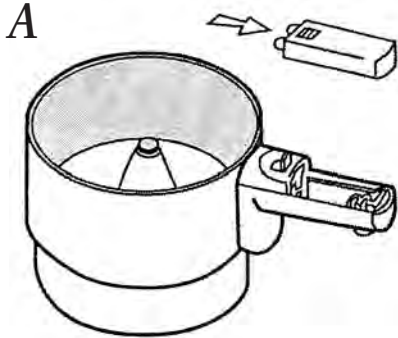




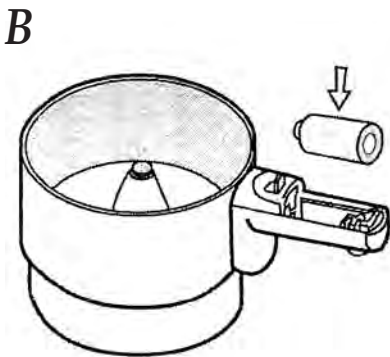
Battery Operated Flour Sifter

Norpro Item #140

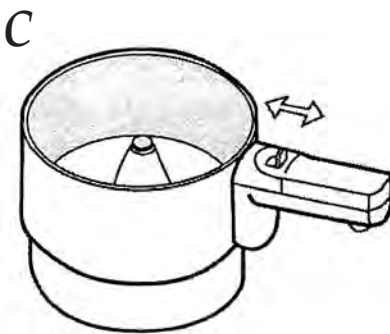
How To Use



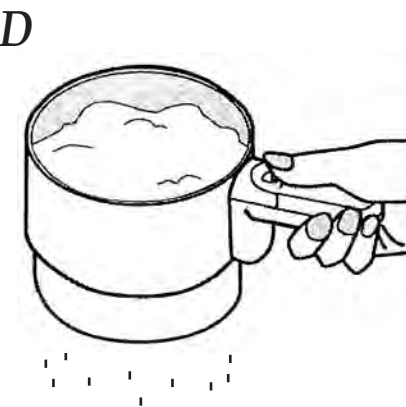
The battery cover should be removed gently by pressing backward and pulling back the cover.



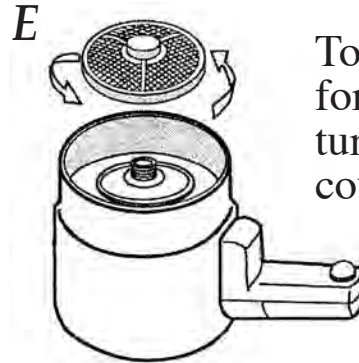
Insert one C size battery. See diagram inside handle for position.



ON/OFF Switch button.



Place flour into the main body of the sifter. Hold horizontally. Then switch on the sifter.



To remove screen for cleaning, turn screen counter-clockwise.



Easily removable from main body for cleaning. Dry with towel only before reattaching.

Warning



Do not remove any screws or parts as it may cause failure.



Never wash or wet the main body with water as it may damage the electrical parts and the motor.